

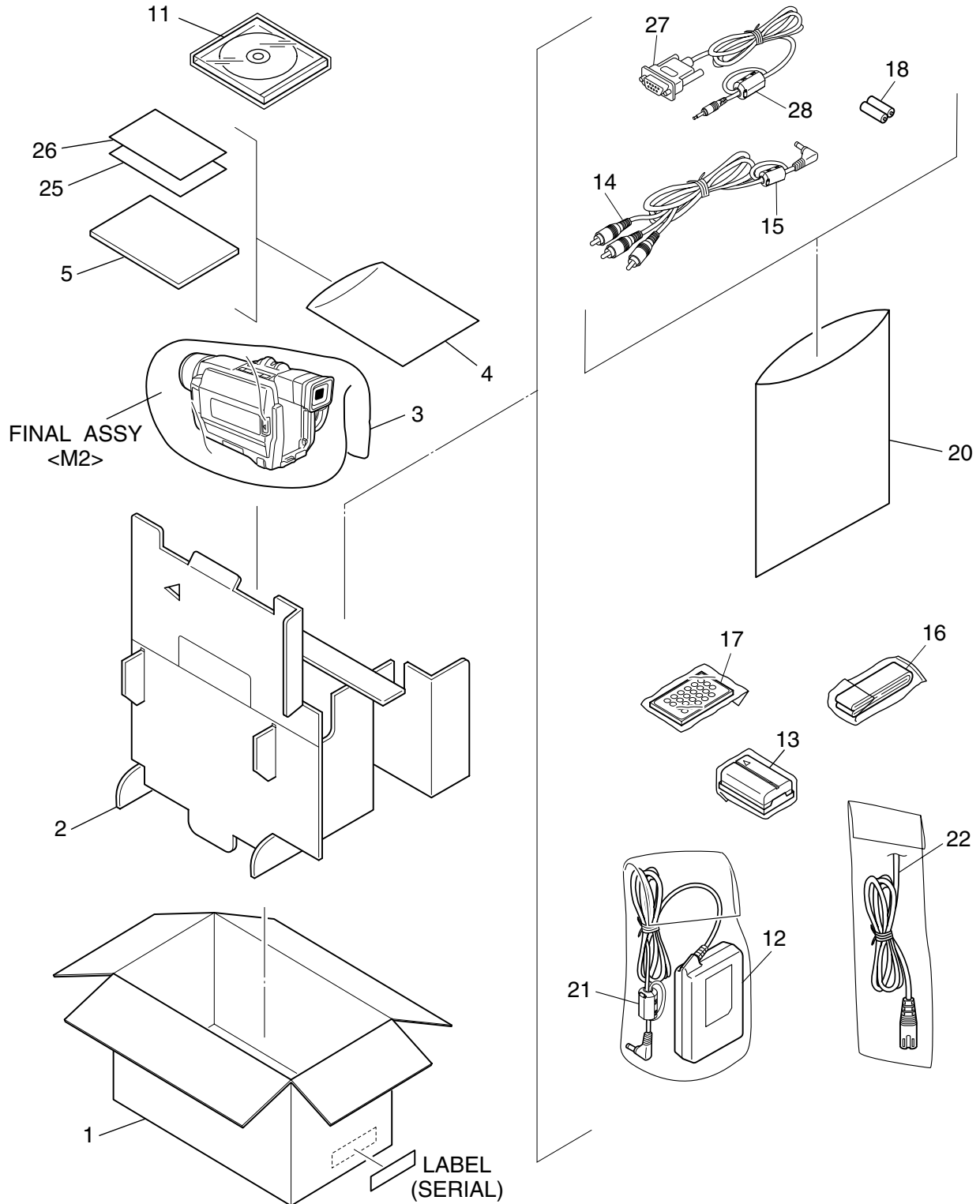
SECTION 5 PARTS LIST

SAFETY PRECAUTION

Parts identified by the \triangle symbol are critical for safety. Replace only with specified part numbers.

5.1 PACKING AND ACCESSORY ASSEMBLY <M1>

The instruction manual to be provided with this product will differ according to the destination.



△ REF No. PART No. PART NAME, DESCRIPTION

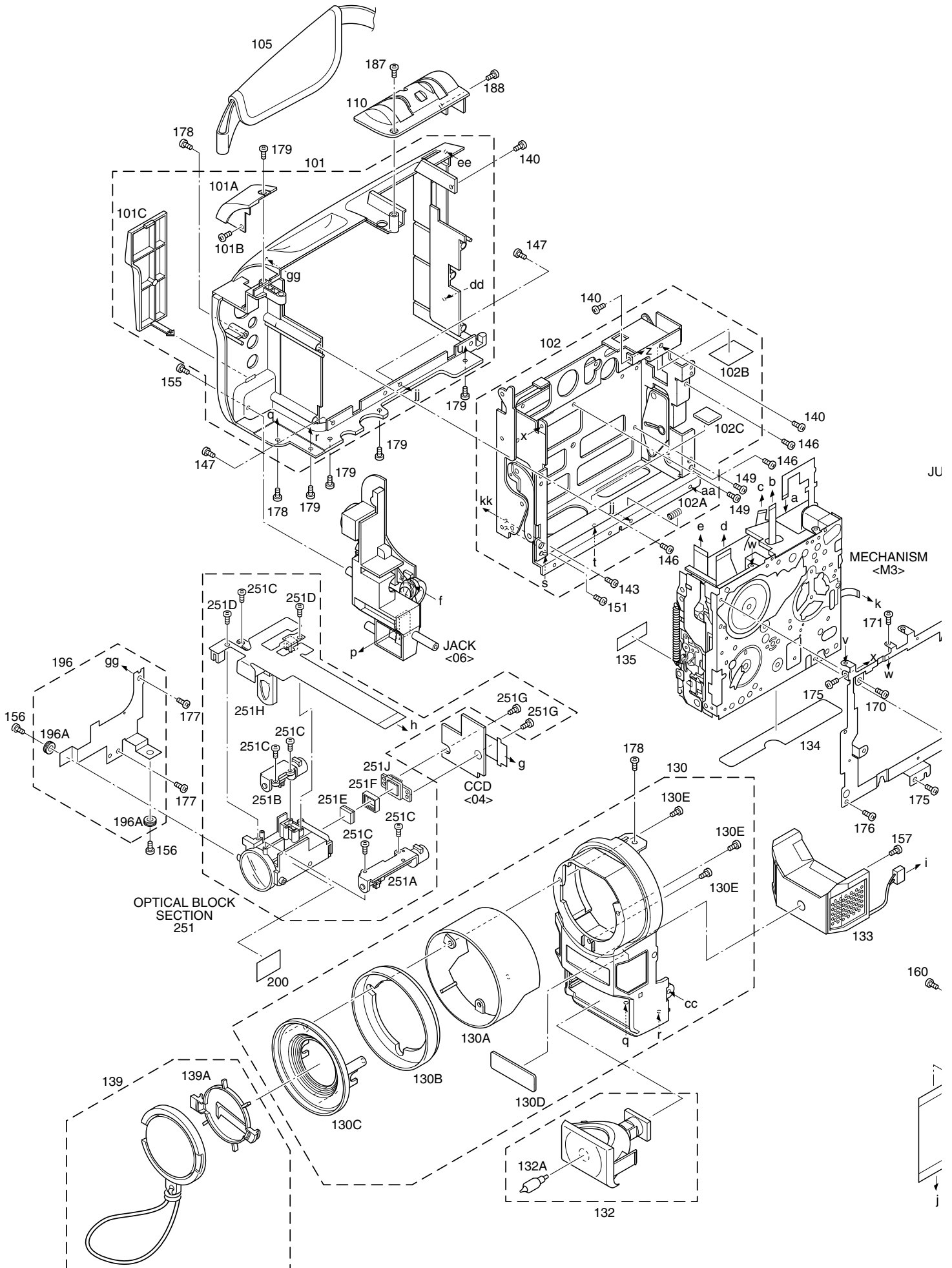
PACKING AND ACCESSORY ASSEMBLY <M1>

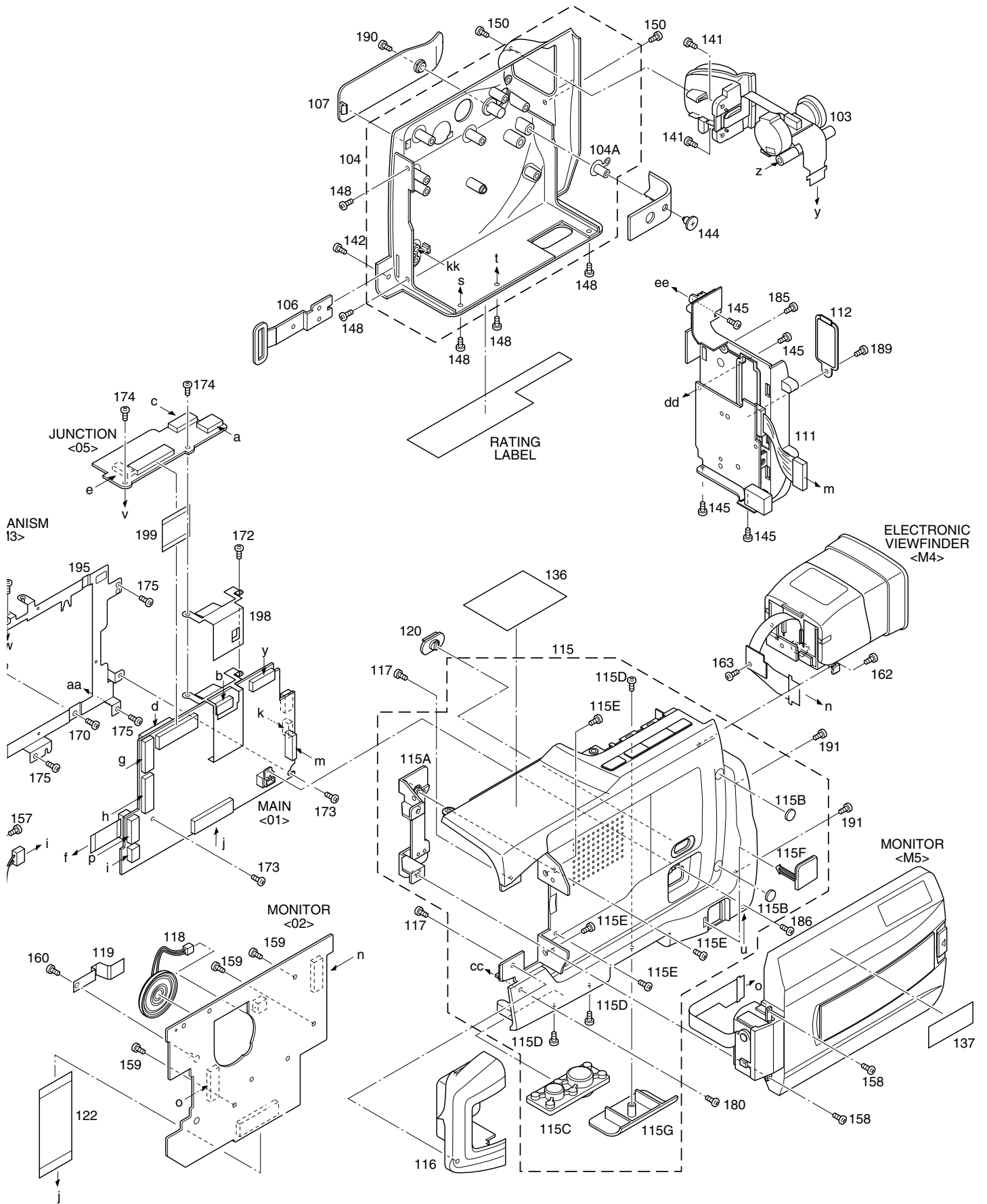
- 1 LY32095-001A PACKING CASE,B
- LY32095-007A PACKING CASE,A
- 2 LY32096-001A CUSHION
- 3 LY30023-008A POLY BAG
- 4 QPA02003006 POLY BAG
- △ 5 LYT0751-001A INST.BOOK(KO)
- 11 LY32210-002A CD ROM
- △ 12 LY20688-010A AC ADAPTER,AP-V10KR
- △ 13 LY31587-001A BATTERY PACK,BN-V408U
- 14 QAM0211-001 CABLE ASSY,AUDIO/VIDEO CABLE
- 15 QQR0918-002 CORE FILTER
- 16 LY20186-001A SHOULDER STRAP
- 17 LY42129-001A REMOTE CONTROL UNIT,RM-V715U
- 18 — BATTERY,AAA(R03),X2
- 20 QPGA017-03005 POLY BAG,A
- QPA01703005 POLY BAG,B
- 21 QQR0490-002 CORE FILTER
- 22 QMPS130-190-JC POWER CORD
- △ 25 LYT0614-001A INST.BOOK(SOFT.SETUP),A
- △ 26 LYT0614-002A INST.BOOK(SOFT.OPE.KO),A
- 27 QAM0084-001 PC CABLE,A
- 28 QQR0490-002 CORE FILTER,A

• INSTRUCTIONS
 KO KOREAN

MODEL	MARK
GR-DVL310KR	A
GR-DVL317KR	B

5.2 FINAL ASSEMBLY <M2>





#	△ REF No.	PART No.	PART NAME, DESCRIPTION

FINAL ASSEMBLY <M2>			
101		LY20706-001C	LOWER CASE ASSY
101A		LY32098-001A	WINDOW(IR)
101B		LY30018-063A	SPECIAL SCREW
101C		LY32099-001C	COVER(JACK)
102		LY20697-001B	ARM ASSY
102A		LY30001-023A	TENSION SPRING
102B		LY30029-0C7A	SPACER(A)
102C		LY30029-0E9A	SPACER(A)
103		LY20693-001A	ZOOM UNIT
104		LY20704-001A	CASSETTE COVER ASSY
104A		LY40592-001A	CAP(GRIP BELT)
105		LY20575-004B	GRIP BELT
106		LY42891-001A	HOOK(GRIP)
107		LY32092-007A	COVER(AJUST),A
		LY32092-004A	COVER(AJUST),B
110		LY32093-001A	COVER(ZOOM)ASSY
111		LY20725-001A	REAR UNIT
112		LY41691-001A	COVER(JIG)
115		LY20707-001B	UPPER CASE(2.5)ASSY,A
		LY20717-001C	UPPER CASE3/3.5 ASSY,B
115A		LY32101-001A	BRACKET
115B		LY40664-001A	SPACER,X2
115C		LY31019-001A	BASE
115D		LY30018-084A	SPECIAL SCREW,X3
115E		LY30018-0A8A	SPECIAL SCREW,X4
115F		LY42866-001A	CAP(DC JACK)
115G		LY32110-001A	COVER
116		LY32106-001A	COVER(HINGE)
117		LY30018-084A	SPECIAL SCREW,X2
118		QAS0048-001	SPEAKER
119		LY42167-001A	PLATE(SPK)
120		LY42919-001A	KNOB(SLIDE)
122		QUQ105-4007AA	FFC WIRE,MAIN CN101-MONI CN761
△ 130		LY20711-001A	FRONT COVER ASSY
130A		LY32111-001A	HOOD
130B		LY32112-001A	RING
130C		LY32113-001A	HOOD(SCREW)
130D		LY42953-001A	MARK
130E		LY30018-052A	SPECIAL SCREW,X3
132		LY31617-002A	DC LIGHT ASSY
132A		YQ44266	LAMP
133		LY32114-001A	MICROPHONE
134		LY40698-002A	LABEL(HOUSING)
135		LY40699-002A	LABEL(PUSH)
136		LY43093-012A	STICKER(TOP)
137		LY43094-003A	STICKER(SIDE)
139		LY42182-002A	CAP(HOOD)ASSY
139A		LY31627-001A	SPRING
140		LY30018-084A	SPECIAL SCREW,X3
141		LY30018-096A	SPECIAL SCREW,X2
142		LY30018-038A	SPECIAL SCREW
143		LY30018-084A	SPECIAL SCREW
144		LY30018-0D1A	SPECIAL SCREW
145		LY30018-084A	SPECIAL SCREW,X4
146		LY30018-084A	SPECIAL SCREW,X3
147		LY30018-038A	SPECIAL SCREW,X2
148		LY30018-038A	SPECIAL SCREW,X5
149		LY30018-084A	SPECIAL SCREW,X2

#	△ REF No.	PART No.	PART NAME, DESCRIPTION
150		LY30018-084A	SPECIAL SCREW,X2
151		LY30018-023A	WPECIAL SCREW
155		LY30018-084A	SPECIAL SCREW
156		LY30019-029B	SPECIAL SCREW,X2
157		LY30018-023A	SPECIAL SCREW
158		LY30018-090A	SPECIAL SCREW,X2,A
		LY30018-0D6A	SPECIAL SCREW,X2,B
159		LY30018-023A	SPECIAL SCREW,X3
160		LY30018-006B	SPECIAL SCREW
162		LY30018-063A	SPECIAL SCREW
163		LY30018-064A	SPECIAL SCREW
170		LY30019-026A	SPECIAL SCREW,X2
171		YQ43893-4	MINI SCREW
172		YQ43893-4	MINI SCREW
173		LY30019-033A	SPECIAL SCREW,X2
174		QYSPSPT1730Z	SCREW,X2
175		LY30018-066A	SPECIAL SCREW,X4
176		LY30018-084A	SPECIAL SCREW
177		LY30018-084A	SPECIAL SCREW,X2
178		LY30018-084A	SPECIAL SCREW,X3
179		LY30018-084A	SPECIAL SCREW,X5
180		LY30018-092A	SPECIAL SCREW
185		LY30018-065A	SPECIAL SCREW
186		LY30018-006B	SPECIAL SCREW
187		LY30018-092A	SPECIAL SCREW
188		LY30018-065A	SPECIAL SCREW
189		LY30018-037A	SPECIAL SCREW
190		LY30018-037A	SPECIAL SCREW
191		LY30018-084A	SPECIAL SCREW,X2
195		LY20696-001A	BRACKET(MECHA)
196		LY42846-001A	BKT(OP) ASSY
196A		LY42796-001A	BUSH,X2
198		LY32081-001A	SHIELD PLATE
199		WJT0044-001A	E-CARD WIRE,MAIN CN113-JUNC CN571
200		LY43092-001A	PLATE
- OPTICAL BLOCK SECTION -			
251		J7A-133A	OPTICAL BLOCK ASSY
251A		LY30723-001B	ZOOM MOTOR
251B		LY30724-001B	FOCUS MOTOR
251C		LY30727-002A	SCREW,X5
251D		LY30727-001A	SCREW,X2
251E		LY42936-001A	OPTICAL LPF
251F		LY31639-001A	SPACER RUBBER
251G		QYSPSGU1750Z	SCREW,X2
251H		LY32160-001A	IRIS MOTOR
251J		YS40168E	CCD BASE ASSY